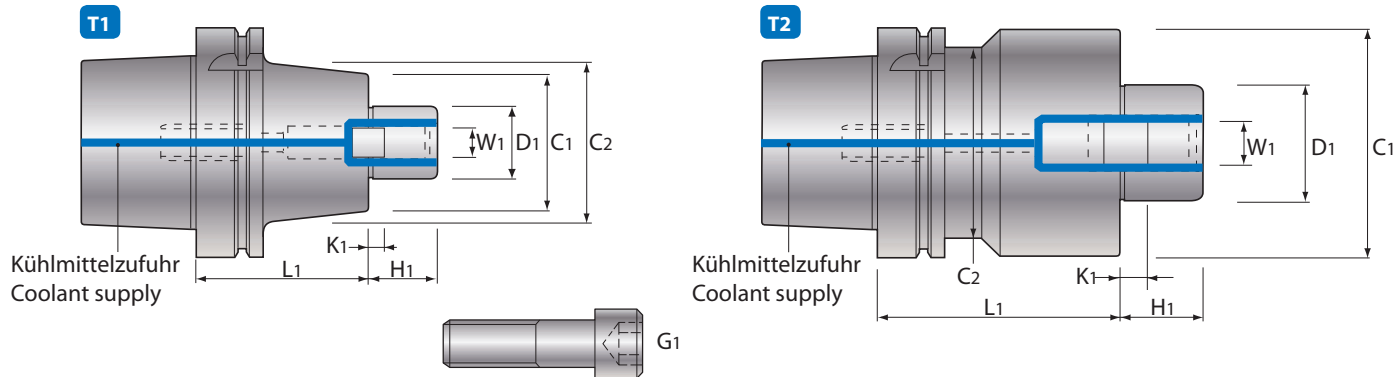


FMH Aufsteck-Fräsdorn

Face Mill Arbor



HSK63A

DIN 69893 | ISO 12164

mit Kühlkanalbohrungen
with Coolant Jet

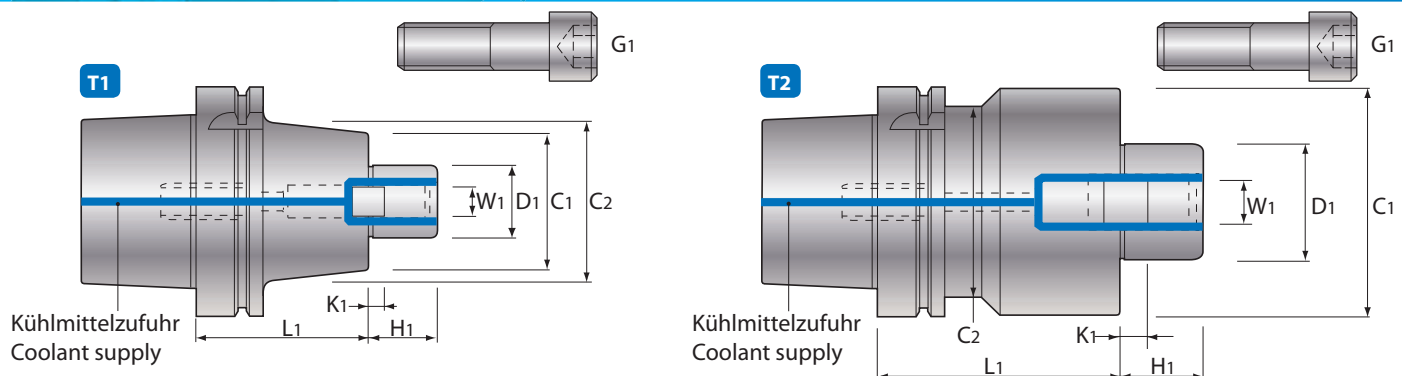
Halter Holder		Type	D ₁ (h6)	L ₁	C ₁	C ₂	H ₁	W ₁	K ₁	G ₁	Messerkopf Cutter Ø
-FMH16	-60	T1	16	60	34	-	17	8	5	M8	40 50
	-34	-90	T1	16	90	34	-	17	8	M8	40 50
	-120	T1	16	120	34	-	17	8	5	M8	40 50
-FMH22	-60	T1	22	60	47	-	18	10	5	M10	50 63
	-47	-90	T1	22	90	47	-	18	10	M10	50 63
	-120	T1	22	120	47	-	18	10	5	M10	50 63
-FMH27	-60	T2	22	60	60	53	18	10	5	M10	50 63
	-60	-90	T2	22	90	60	53	18	10	M10	50 63
	-120	T2	22	120	60	53	18	10	5	M10	50 63
-FMH32	-60	T2	27	60	60	53	20	12	6	M12	80
	-60	-90	T2	27	90	60	53	20	12	M12	80
	-120	T2	27	120	60	53	20	12	6	M12	80
-FMH32	-60	T2	27	60	76	53	20	12	6	M12	80
	-76	-90	T2	27	90	76	53	20	12	M12	80
	-120	T2	27	120	76	53	20	12	6	M12	80
-FMH32	-60	T2	32	60	96	53	22	14	7	M16	100
	-96	-90	T2	32	90	96	53	22	14	M16	100
	-120	T2	32	120	96	53	22	14	7	M16	100

HSK-Kühlmittelrohr im Lieferumfang enthalten.
HSK ohne Bohrung für Handspannung.

HSK-Coolant pipe included in delivery.
HSK without holes for manual clamping.

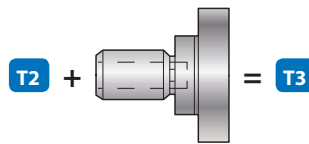
FMH Aufsteck-Fräsdorn

Face Mill Arbor



HSK100A

DIN 69893 | ISO 12164



mit Kühlkanalbohrungen
with Coolant Jet

Halter Holder		Type	D ₁ (h6)	L ₁	C ₁	C ₂	H ₁	W ₁	K ₁	G ₁	Messerkopf Cutter Ø	
HSK100A	-FMH16 -34	-75	T1	16	75	34	-	17	8	5	M8	40 50
		-105	T1	16	105	34	-	17	8	5	M8	40 50
		-135	T1	16	135	34	-	17	8	5	M8	40 50
		-150	T1	16	150	34	-	17	8	5	M8	40 50
		-200	T1	16	200	34	-	17	8	5	M8	40 50
		-250	T1	16	250	34	-	17	8	5	M8	40 50
	-FMH22	-75	T1	22	75	47	-	18	10	5	M10	50 63
		-105	T1	22	105	47	-	18	10	5	M10	50 63
		-135	T1	22	135	47	-	18	10	5	M10	50 63
		-150	T1	22	150	47	-	18	10	5	M10	50 63
		-200	T1	22	200	47	-	18	10	5	M10	50 63
		-250	T1	22	250	47	-	18	10	5	M10	50 63
	-60	-75	T1	22	75	60	-	18	10	5	M10	50 63
		-105	T1	22	105	60	-	18	10	5	M10	50 63
		-135	T1	22	135	60	-	18	10	5	M10	50 63
		-150	T1	22	150	60	-	18	10	5	M10	50 63
		-200	T1	22	200	60	-	18	10	5	M10	50 63
		-250	T1	22	250	60	-	18	10	5	M10	50 63
-FMH27	-75	T1	27	75	60	-	20	12	6	M12	80	
	-105	T1	27	105	60	-	20	12	6	M12	80	
	-135	T1	27	135	60	-	20	12	6	M12	80	
	-150	T1	27	150	60	-	20	12	6	M12	80	
	-200	T1	27	200	60	-	20	12	6	M12	80	
	-250	T1	27	250	60	-	20	12	6	M12	80	
-76	-75	T1	27	75	76	-	20	12	6	M12	80	
	-105	T1	27	105	76	-	20	12	6	M12	80	
	-135	T1	27	135	76	-	20	12	6	M12	80	
	-150	T1	27	150	76	-	20	12	6	M12	80	
	-200	T1	27	200	76	-	20	12	6	M12	80	
	-250	T1	27	250	76	-	20	12	6	M12	80	
-FMH32 -96	-75	T2	32	75	96	85	22	14	7	M16	100	
	-105	T2	32	105	96	85	22	14	7	M16	100	
	-135	T2	32	135	96	85	22	14	7	M16	100	
-FMH40 -100	-75	T3	40	75	100	85	26	16	8.5	M20	100 125	
	-105	T3	40	105	100	85	26	16	8.5	M20	100 125	
	-135	T3	40	135	100	85	26	16	8.5	M20	100 125	

HSK-Kühlmittelrohr im Lieferumfang enthalten.
HSK ohne Bohrung für Handspannung.

HSK-Coolant pipe included in delivery.
HSK without holes for manual clamping.