

PHC-H Hochdruck-Dehnspannfutter High Pressure Hydro Chuck



Das **NON PLUS ULTRA** in der Dehnspanntechnik

- Extreme Spannpower [ø32: 2000 Nm]
- Perfekter Rundlauf
- Maximale Stabilität
- Große Spannflexibilität
- Vibrationsdämpfend

The **NON PLUS ULTRA** in Hydro Clamping Technology

- Incredible high clamping forces
[ø32: 2000 Nm]
- Perfect run out accuracy
- Maximum stability
- Large clamping range
- Anti-vibrations effect

NT TOOL EUROPE

Siemensstrasse 17 A

61449 Steinbach, Germany



+49-(0)6171-91639 - 0



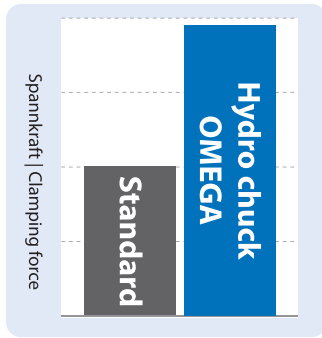
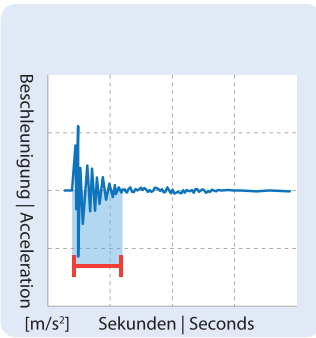
+49-(0)6171-91639-90



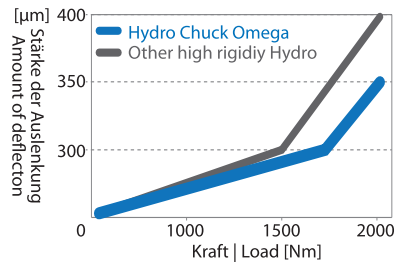
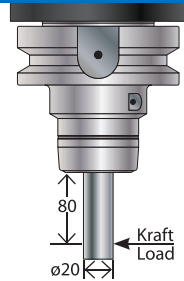
info@nttooleurope.com

NT TOOL
www.nttooleurope.com

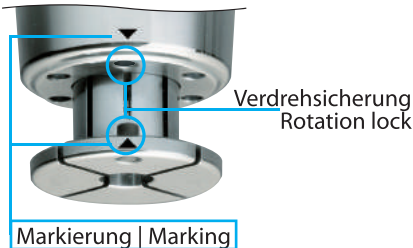
Extreme Spannpower & vibrationsdämpfend Highest clamping forces & vibrationdampen



Maximale Stabilität High rigidity



Große Spannflexibilität Large clamping range



PHS-OH für innere Kühlmittelzufuhr for inner coolant supply

| Hülse Collet | d | Vorzugspreis Special price |
|----------------|--------------------------|-------------------------------|
| PHS -20H-d-OH | 6, 8, 10, 12, 16 | 49,00 € |
| PHS -32H-d-OH | 6, 8, 10, 12, 16, 20, 25 | 59,00 € |

PHC-H

16.0
32.0



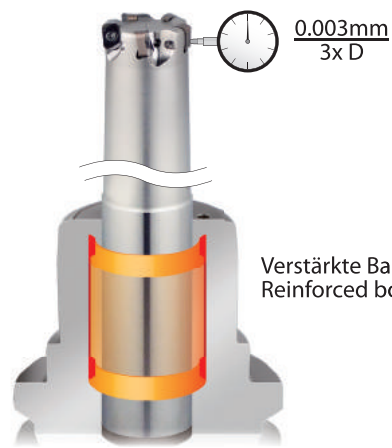
Tol.
h6

Weitere Ausführungen sind auf Anfrage lieferbar.

More types available on request.

| Halter Holder | Type | d | D1 | D2 | D3 | L | L1 | I | H | | Vorzugspreis Special price | |
|-----------------|--------------|----|----|----|----|-----|-----|----|-----|------|-------------------------------|----------|
| HSK63A | -PHC16H -80 | T2 | 16 | - | 44 | 56 | 80 | 21 | 45 | 51 | - L-4T | 269,00 € |
| | -PHC20H -105 | T1 | 20 | 48 | 50 | 60 | 105 | 32 | 50 | 75 | - L-4T | 269,00 € |
| SK40 | -PHC20H -75 | T2 | 20 | - | 50 | 60 | 75 | 16 | 50 | 80 | L-4T | 199,00 € |
| | -PHC20H -105 | T2 | 20 | 48 | 50 | 60 | 105 | 32 | 50 | 110 | L-4T | 220,00 € |
| SK50-PHC32H | T1 | 32 | 63 | 65 | 75 | 105 | 47 | 65 | 120 | L-5T | 289,00 € | |
| BT40 | -PHC20H -75 | T1 | 20 | 48 | 50 | 60 | 75 | 32 | 50 | 80 | L-4T | 199,00 € |
| | -PHC20H -105 | T1 | 20 | 48 | 50 | 60 | 105 | 32 | 50 | 95 | L-4T | 220,00 € |
| BT50-PHC32H | T1 | 32 | 63 | 65 | 75 | 105 | 47 | 65 | 120 | L-5T | 289,00 € | |

Perfekter Rundlauf High precision



Anwendungen

- Schruppfräsen
- Hartbearbeitung
- Trochoidales Fräsen
- HPC-Fräsen

Applications

- Heavy milling
- Hard machining
- Trochoidal milling
- HPC milling

